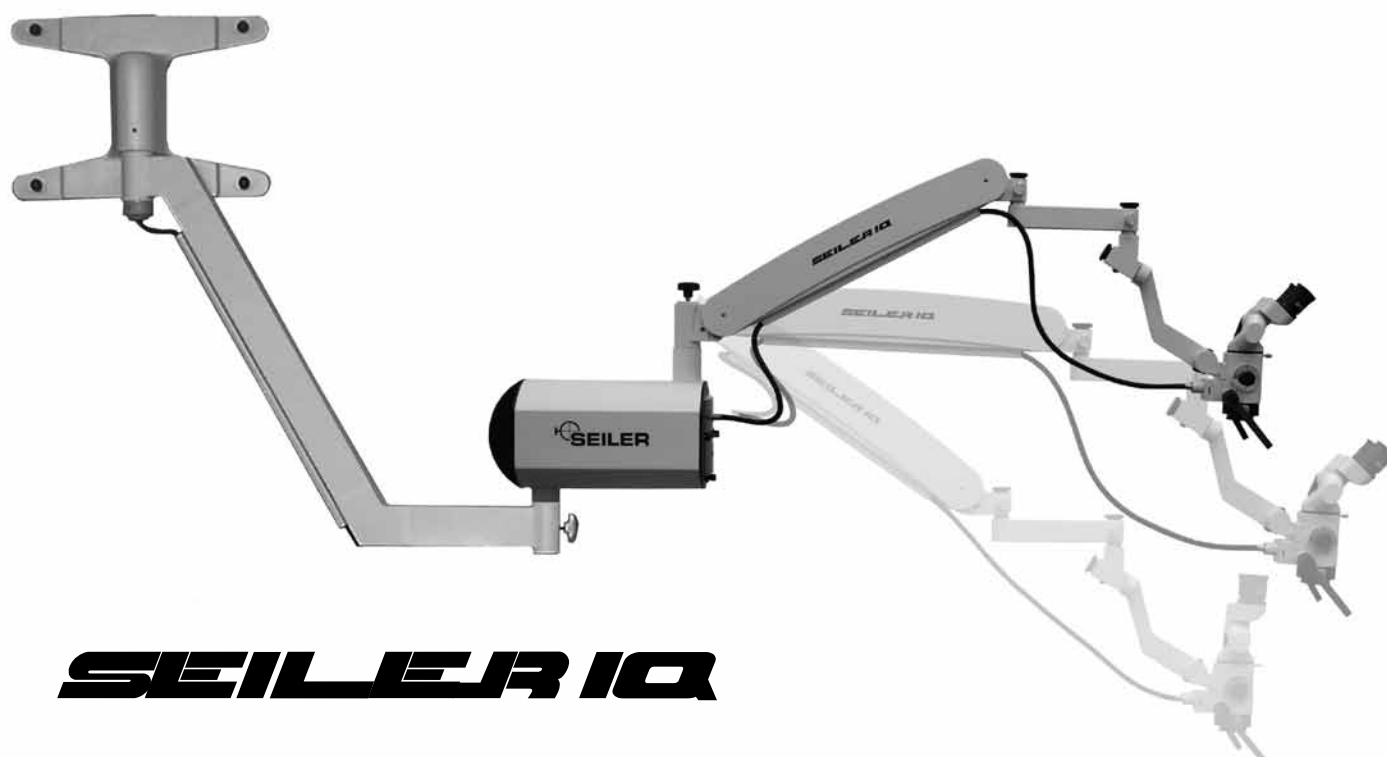


# High Wall Model Installation Instructions



**SEILER IQ**



- 1) Determine suitable location: Wall next to doctor, wall behind doctor, etc. at a distance no greater than 60" and no less than 36" from the wall to the patients mouth.
- 2) Position the wall bracket with the threaded opening facing down and with the lower mounting holes approximately 81" above the floor. Fasten the wall bracket to the wall making sure the wall construction is wood stud (16" on center ) or cinder block. All other constructions require wall bracing - contact your building maintenance department or an outside contractor in this case.

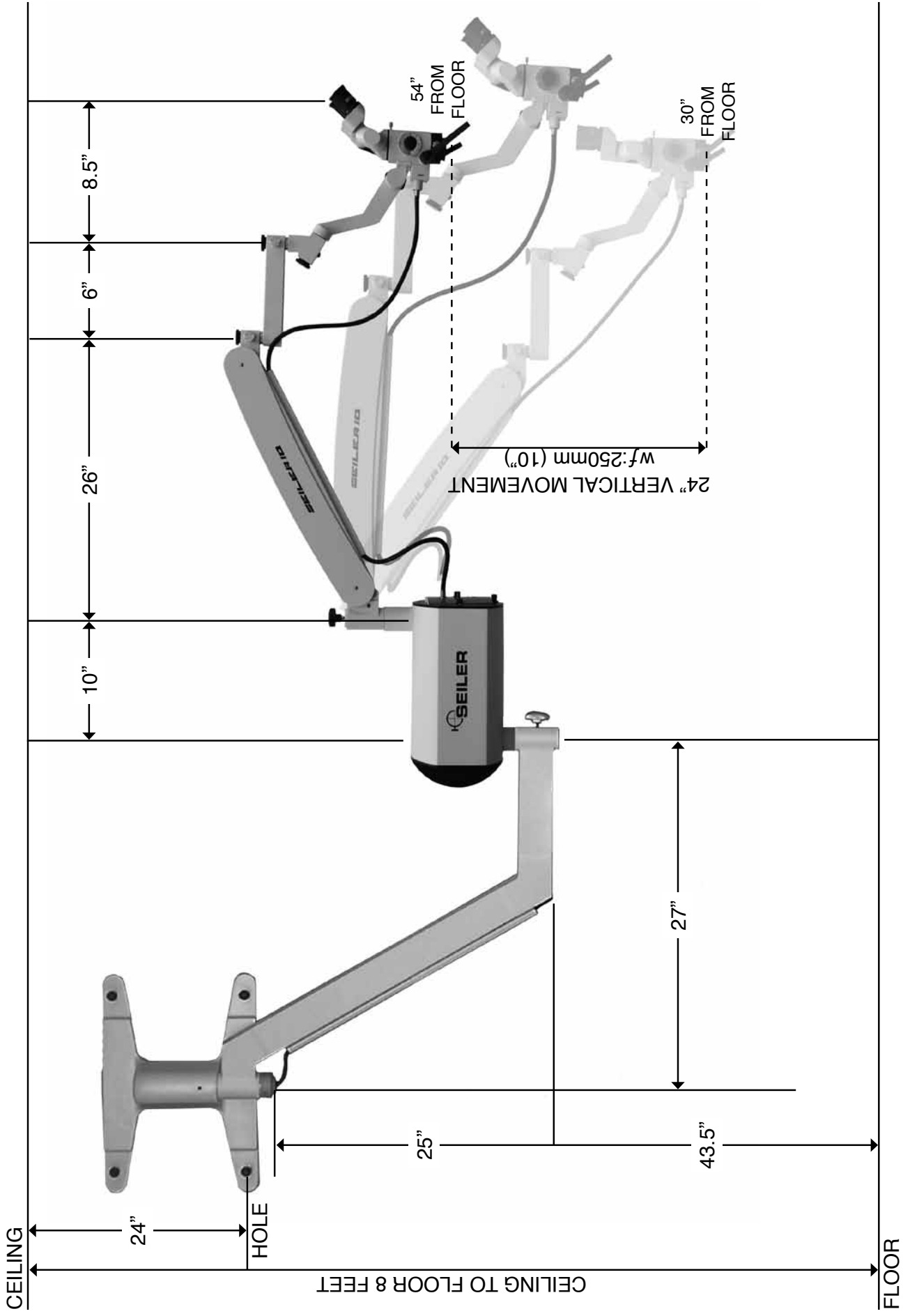


- 3) Remove the "S" arm assembly from the shipping carton and connect this assembly to the bottom of the wall bracket by carefully threading the shaft into the wall bracket using the gray cap on the "S" arm assembly to thread in the shaft.



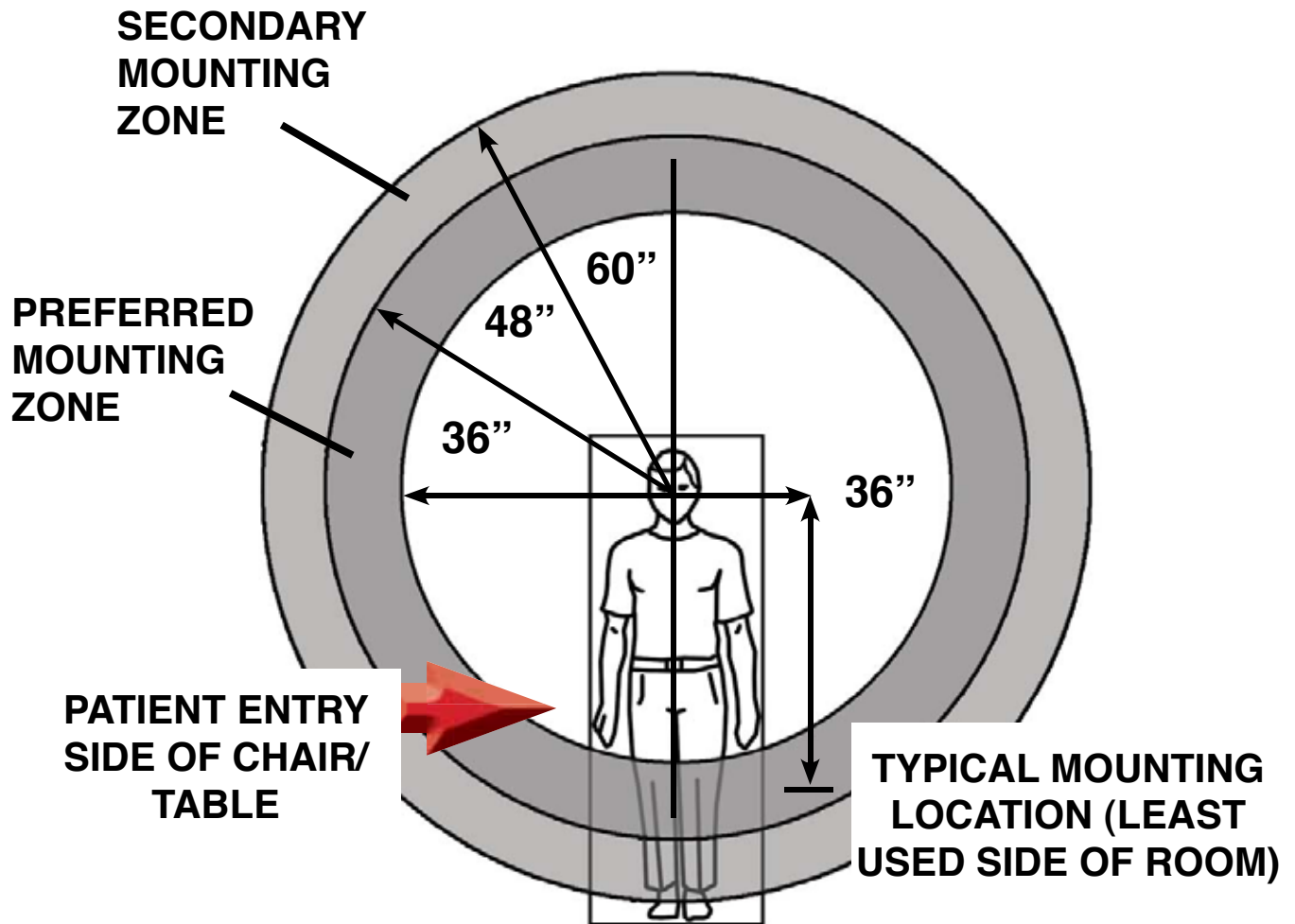
- 4) Two holes are used to insert a tool for loading the internal bearings. One hole contains a setscrew which you can adjust to lock the desired tension.
- 5) After the entire microscope is assembled to the high wall bracket, check for satisfactory rotational movement.
- 6) After you have set the tension as described in step 4 and checked the rotational movement, tighten the setscrew in the front of the wall bracket.
- 7) A thru hole is provided to wire the microscope into the wall/ceiling. Check your local electrical code for proper wiring.

**SEILER 10**  
High Wall Mount



## Positioning

# High Wall and Ceiling Recommended Mounting Location



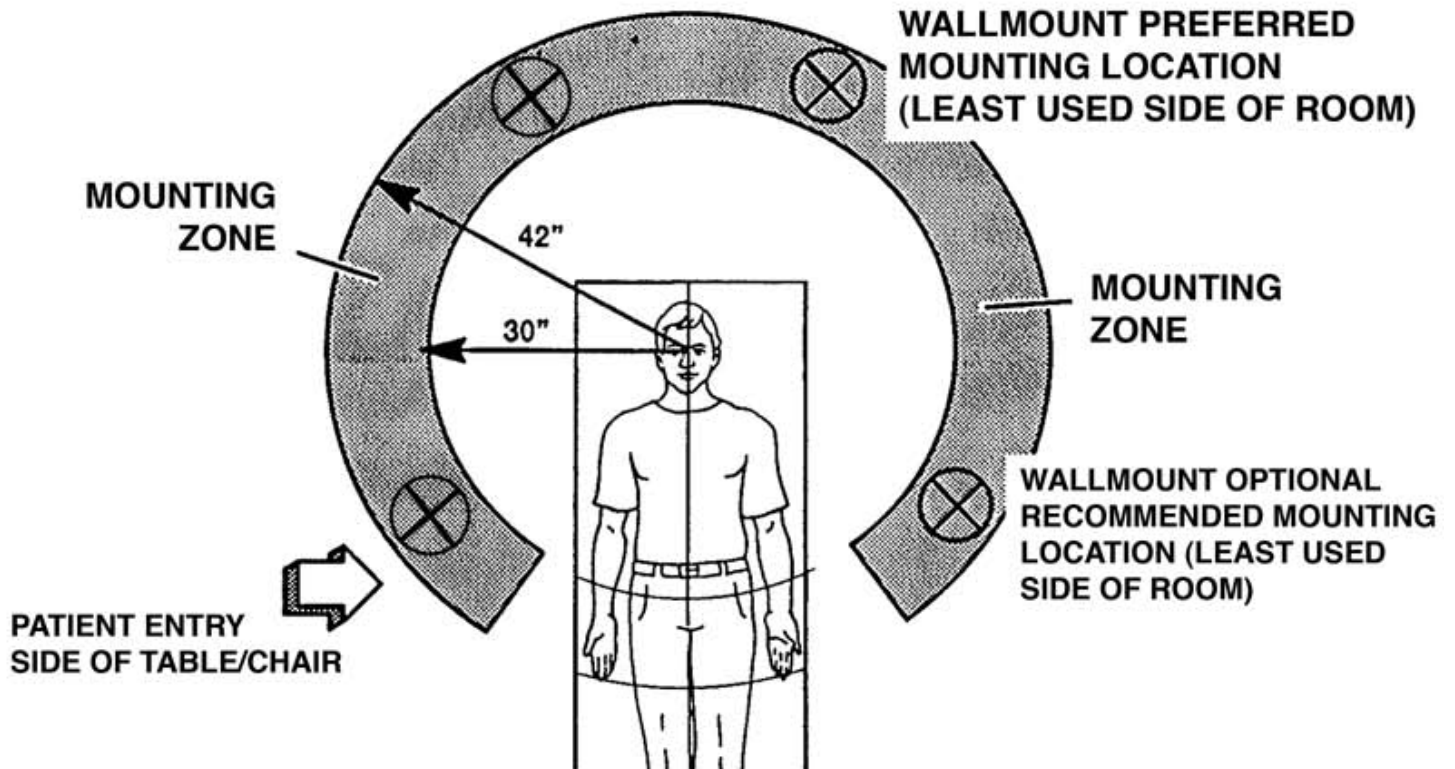
### NOTE:

If the typical position is not available, locating the microscope within the Preferred Mounting Zone (vertically shaded) will ensure that there is maximum maneuverability of the microscope in all directions. Locating the microscope within the Secondary Mounting Zone (diagonally shaded) is possible, depending upon the specific layout of a room, but may reduce maneuverability.

Right Handed

# WALL MOUNT

Left Handed



**NOTE:**



If either of the two recommended locations is not available, locating the wall mount within the shaded mounting zone will ensure that there is maximum maneuverability of the microscope in all directions.

Right handed dentists typically should mount the microscope on their right side. This allows for better four-handed dentistry with their assistant. The same theory applies to left hand dentists.

# Personnel

We are here to serve you!

If you have any questions regarding Seiler's products or services, please feel free to contact us.

 : 800.489.2282  
 : 314.968.2282  
 : 314.968.3601  
 : [micro@seilerinst.com](mailto:micro@seilerinst.com)  
 : [www.seilerinst.com](http://www.seilerinst.com)

- Division Manager  
Dane Carlson  
ext. 365 • [dcarlson@seilerinst.com](mailto:dcarlson@seilerinst.com)
- Corporate Accounts/Marketing  
Nicholas Toal  
ext. 345 • [ntoal@seilerinst.com](mailto:ntoal@seilerinst.com)
- Technical Product Information  
Tony Leise  
ext. 363 • [tleise@seilerinst.com](mailto:tleise@seilerinst.com)
- Literature  
Beverly Brown  
ext. 322 • [bbrown@seilerinst.com](mailto:bbrown@seilerinst.com)
- Accounts/Tracking/Bulbs  
Sandy Jeremich  
ext. 336 • [sjeremich@seilerinst.com](mailto:sjeremich@seilerinst.com)

